

LED Full Color Controller

WM-FSD-1000D



- **First, Overview:**

- 1、 Inside the pattern 102 , then control can be equipped with SD (<4G).
- 2、 Call internal pattern after the boot without SD ,calling SD of animation effect after the boot with SD。

RJ-FSD-1000D can send DMX512 & TTL signal。
- 3、 using standard DMX512 choose built-in patterns speed and R G B/RGBW。
- 4、 Can be more than one, the synchronization signal recommend no more than 50 meters, measured 100 meter.
- 5、 The maximum drive 2048 pixels. The maximum refresh rate of 30 frame rate(<512 pixels)。
- 6、 The maximum distance between the controller and lighting TTL is <15m;485 signal <30 meters TTL simultaneously and then 10 or so pieces。

Power Supply	DC5-24V
Specifications	L122 *W 73* H25
Weight	0.2Kg
Power	3W

- **Second, support IC:**

Support IC	Specific models
TM	TM1803 TM1804 TM1913 TM1809 TM1812 TM1914 TM1829
UCS	UCS2903 UCS2909 UCS2912 UCS1903 UCS1909 UCS1912
WS	WS2801 WS2812 WS2811
INK1003	INK1003
LPD	LDP6803 LDP8806 LDP1109
D705	D705
SM	SM16716 SM16726 16703 DMX512
APA102	APA102
DMX512	DMX512

LED Full Color Controller

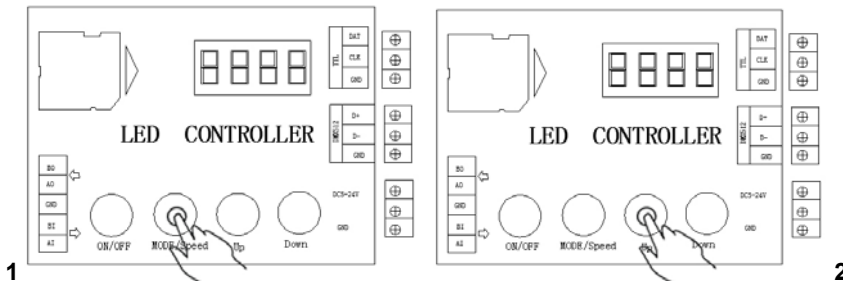
WM-FSD-1000D

P9813 P9803	
SK6812	RGB/RGBW
Other models, please contact our advice.	

- **Three, automatic discriminant SD card or internal pattern**

Boot automatically when judging whether a card, a card call SD pattern, no card automatically calls the internal pattern.

- **pattern & speed.**



1、 under the SD card status ,you can select the pattern and speed through the key, where [on/off]key is invalid. No card and other operations ,as detailed below.

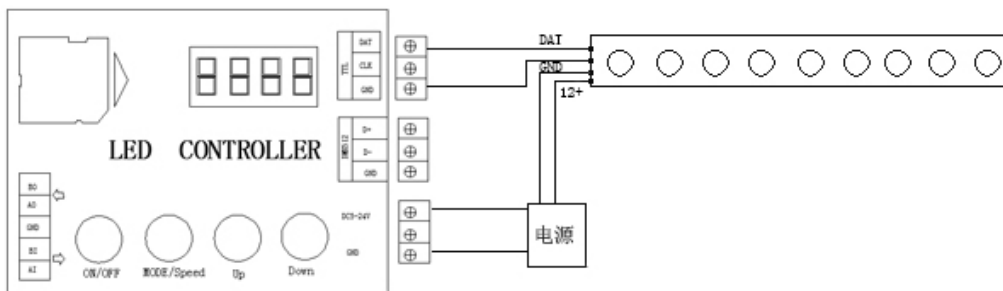
2、 Press[mode/speed]Th second key to cycle through S001 and P001,S beginning representative rate, P beginning representative pattern (Figure 1),

this time through the [UP] and [DOWN] to increase or decrease.

3、 Press the second button [MODE/SPEED} to display A000,A representative DMX512 address, attention DMX address decode and use only standard DMX512 console

control only useful built-in patterns. Increases and decreases with the UP and DOWN keys.

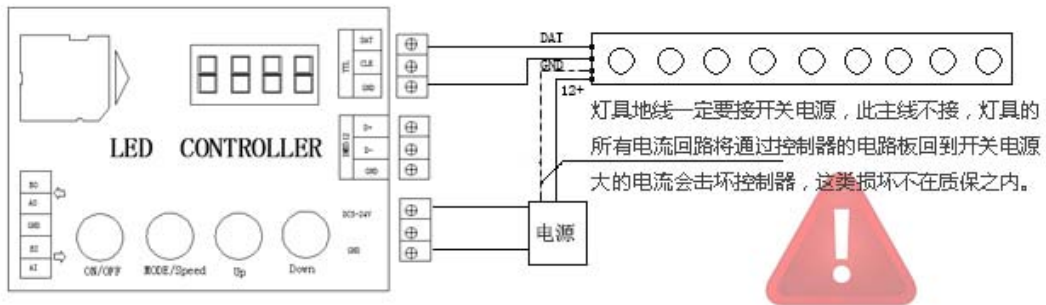
- **Wiring**



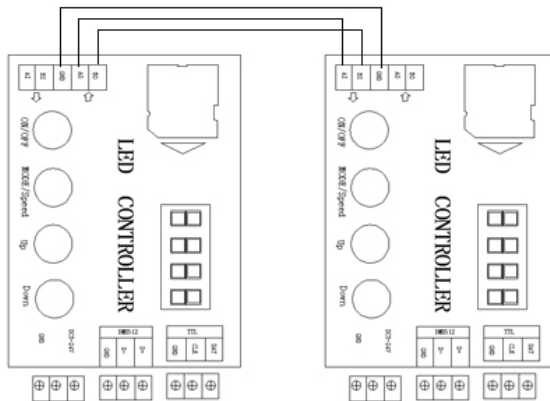
[error]

LED Full Color Controller

WM-FSD-1000D



- **Multiple controller for synchronous operation**



TTL: single-and two-wire signal interface.

DAT: Data

CLK: Clock

GND: Signal ground

DMX512: selected models DMX512 DMX 512 signal is sent, the differential signal is sent when the other models; board with 485 receiving the signal transmitted farther.

D+: DMX512 signal A

D-: DMX512 signal B,

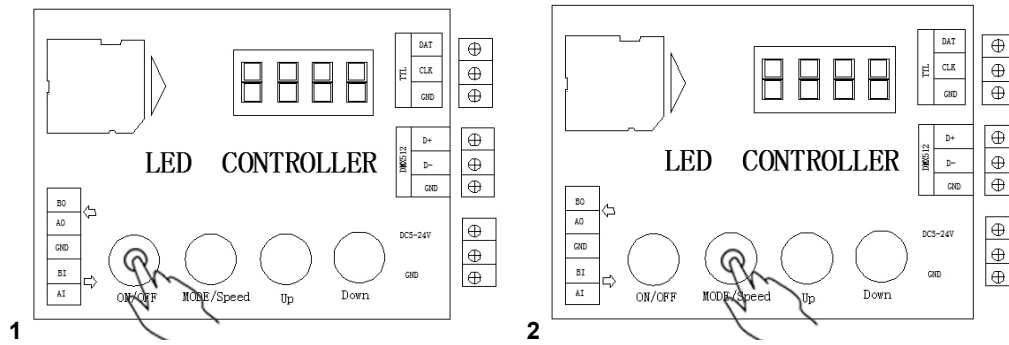
GND: normal circumstances without wiring.

- Internal pattern instructions

- **Election IC Type:**

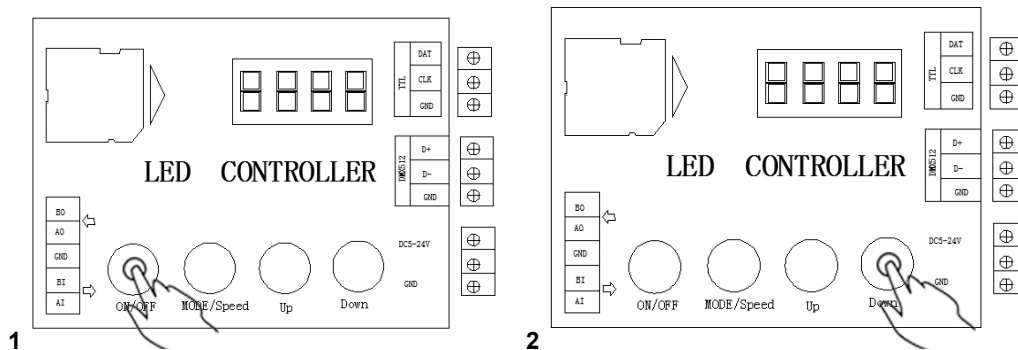
LED Full Color Controller

WM-FSD-1000D



- First press the [ON/Off] key to display OFF enter programming mode(Figure 1)
- Then press the[Mode/Speed] Select (Figure 2), choose the right model and then take [On/Off] key to exit.

● Control points set

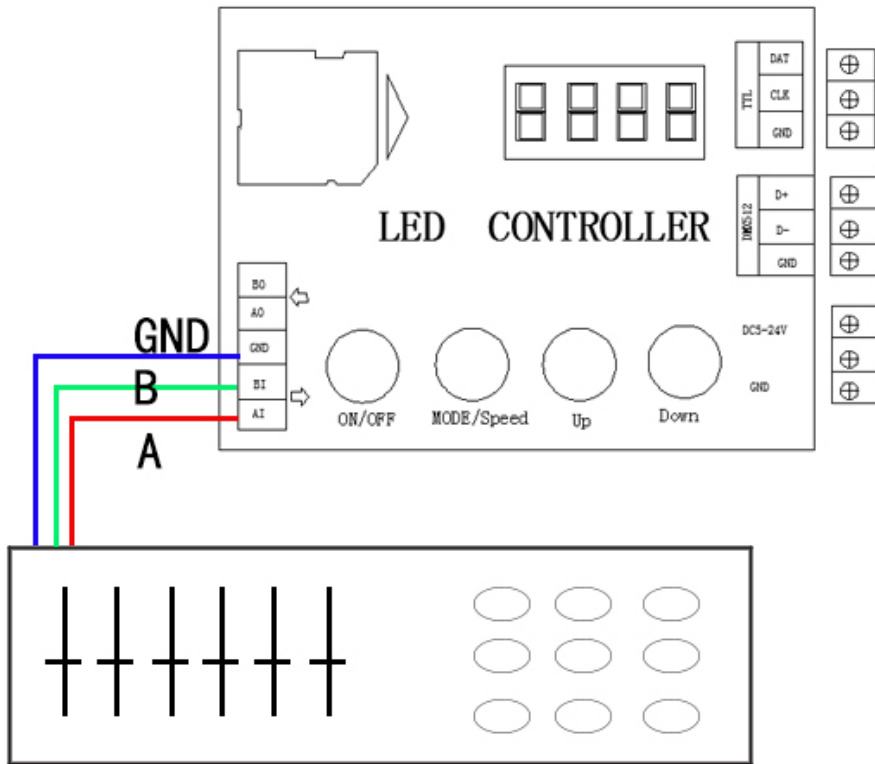


First press the [ON/OFF] key to enter the programming screen display OFF state.
 [UP]and[DOWN] set points.
 Then[On/Off] key to exit.

- **DMX512**

LED Full Color Controller

WM-FSD-1000D



1、 using standard DMX512 choose built-in patterns speed and R G B/RGBW。

Attention:

- 1、 Please pay attention to rain when installing