



pro audio



ES series ES108

Two-way Loudspeaker System

The ES108 is a highly weather-resistant, single 8" 2-way full range outdoor loudspeaker, the body is made of engineering plastic injection molding. fitted with one 8" mid-woofer and one 1" HF driver. The system conforms to IP65 international standard. ES108T is equipped with multi-tap transformer based on ES108.

ES108是一款8"两分音系列音箱。箱体设计优先考虑全天候使用环境，采用工程塑胶注塑而成，一只8寸中低音单元和一只25芯高音驱动器。带T的产品配置多种输出功率选择功能的定压音箱。产品符合IP65国际标准。

FEATURES

- Highly weather-resistant IP65 rating
- Engineering plastic injection molding
- Two kinds of mounting brackets
- Good used for meeting rooms, shops, water parks, outdoor background music, swimming pools, and a wide variety of other outdoor or indoor background music

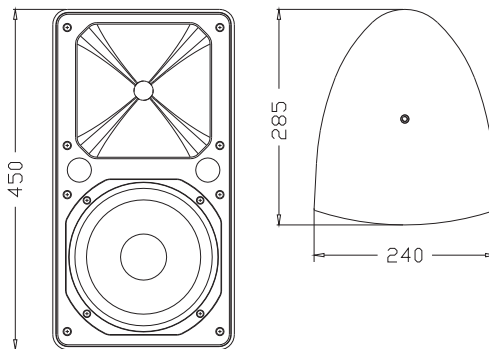
产品特点

- 采用工程塑胶注塑而成

适用范围

- 用会议室多功能厅
- 主题公园、景区扩声

CONFIGURATION



MODEL

FREQUENCY RESPONSE(-3dB)

FREQUENCY RESPONSE(-10dB)

DRIVERS

INPUT VOLTAGE

RATED POWER

SENSITIVITY

MAXIMUM SPL

IMPEDANCE

DISPERSION(-6dB)

CROSSOVER FREQUENCIES

INPUT CONNECTORS

PACKAGE SIZE

NET WEIGHT

GROSS WEIGHT

ES108B/ES108W

60Hz-18kHz

55Hz-20kHz

1×8"(200mm)/2"voice coil LF

1×1"(25mm)/1"voice coil HF

150W RMS,600W peak

94dB 1watt/1 metre

116dB continuous,122dB peak

16 ohms nominal

90°×50°

2.3kHz passive

covered barrier strip terminals

352mm×292mm×495mm

9 kg/pc

11 kg/pc

ES108BT/ES108WT

60Hz-18kHz

55Hz-20kHz

1×8"(200mm)/2"voice coil LF

1×1"(25mm)/1"voice coil HF

100V

37.5W/75W/150W/OFF/16Ω

94dB 1watt/1 metre

116dB continuous,122dB peak

16 ohms nominal

90°×50°

2.3kHz passive

covered barrier strip terminals

352mm×292mm×495mm

10 kg/pc

12 kg/pc